

锻钢闸、截、止系列

Forged steel Gate/Globe/Check/valve series



85

锻钢闸阀、截止阀、止回阀系列 Forged Steel Gate Valve Globe Valve Check Valve

YZZFS106
YZJFS105
YZHFS113

WENZHOU YUZHENG VALVE CO., LTD

锻钢闸阀 Forged Steel Gate Valves

锻钢闸阀有三种闸盖设计形式。第一种是螺栓式闸盖，按这种设计形式设计的闸门，其闸体与闸盖用螺栓螺母连接，螺栓垫片（316奥氏体不锈钢制造）密封。客户有特殊要求时也可采用金属环连接。第二种设计形式是焊接式闸盖，按这种设计形式设计的闸门，其闸体与闸盖用螺栓连接，全焊密封。客户有特殊要求时也可采用全焊连接。第三种是压力自紧式闸盖，按这种设计形式设计的闸门，其闸体与闸盖用螺栓连接，内压自密封密封。

Forged Steel Gate Valves are available in three bonnet designs. The first design is the Bolted Bonnet, with male-female joint spiral wound gasket, made in F304/L graphite. Ring joint gasket are also available on request. The second design is the welded bonnet, with a threaded and seal welded joint. On request a full penetration strength welded joint is available. The third design is the pressure seal bonnet, with a threaded and pressure seal bonnet joint.

锻钢截止阀 Forged Steel Globe Valves

锻钢截止阀有三种闸盖设计形式。第一种是螺栓式闸盖，按这种设计形式设计的闸门，其闸体与闸盖用螺栓螺母连接，螺栓垫片（316奥氏体不锈钢制造）密封。客户有特殊要求时也可采用金属环连接。第二种设计形式是焊接式闸盖，按这种设计形式设计的闸门，其闸体与闸盖用螺栓连接，全焊密封。客户有特殊要求时也可采用全焊连接。第三种是压力自紧式闸盖，按这种设计形式设计的闸门，其闸体与闸盖用螺栓连接，内压自密封密封。

Forged Steel Globe Valves are available in three bonnet designs. The first design is the Bolted Bonnet, with male-female joint spiral wound gasket, made in F304/L graphite. Ring joint gasket are also available on request. The second design is the welded bonnet, with a threaded and seal welded joint. On request a full penetration strength welded joint is available. The third design is the pressure seal bonnet, with a threaded and pressure seal bonnet joint.

锻钢止回阀 Forged Steel Check Valves

锻钢止回阀有三种闸盖设计形式。第一种是螺栓式闸盖，按这种设计形式设计的闸门，其闸体与闸盖用螺栓螺母连接，螺栓垫片（316奥氏体不锈钢制造）密封。客户有特殊要求时也可采用金属环连接。第二种设计形式是焊接式闸盖，按这种设计形式设计的闸门，其闸体与闸盖用螺栓连接，全焊密封。客户有特殊要求时也可采用全焊连接。第三种是压力自紧式闸盖，按这种设计形式设计的闸门，其闸体与闸盖用螺栓连接，内压自密封密封。

Forged Steel Check Valves are available in three bonnet designs. The first design is the Bolted Bonnet, with male-female joint spiral wound gasket, made in F304/L graphite. Ring joint gasket are also available on request. The second design is the welded bonnet, with a threaded and seal welded joint. On request a full penetration strength welded joint is available. The third design is the pressure seal bonnet, with a threaded and pressure seal bonnet joint.

Gate valve Design construction and specifications

锻钢闸阀的设计与API602, B55552和ASME B 16.34, 检验与测试按API 598, 标记按MSS-SP-25, Forged Steel valves conform to API 602, BS 5352, and ASME B 16.34. Each are tested according to API 598, and marking is per MSS SP-25.

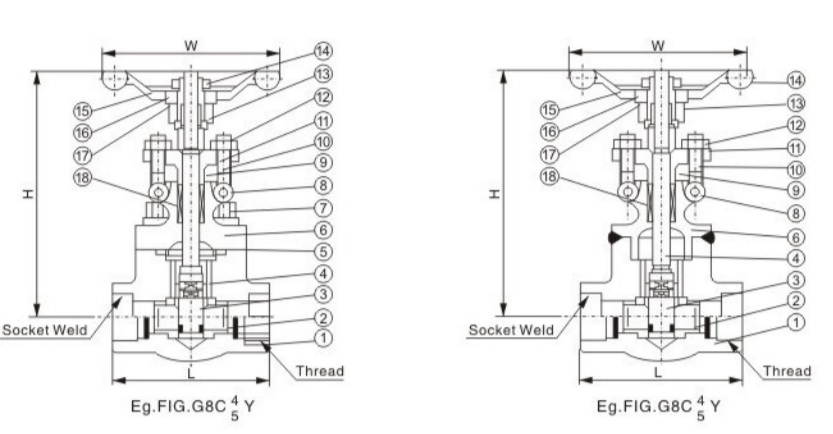
Construction is as follows:

- 全径或缩径 Full port or conventional port
- 明杆支架式(OS&Y) Outside screw and yoke(OS&Y)
- 二片式对齐包装法兰 Two piece self-aligning packing gland
- 螺栓连接、缠绕垫片密封式闸盖；螺栓连接、全焊密封式闸盖以及螺栓连接内压自紧式闸盖 Bolted bonnet with spiral-wound gasket, threaded and seal welded bonnet or threaded and pressure seal bonnet
- 整体式上密封座 Socket weld ends to ASME B16.11
- 承插连接(NPT)符合ANSI/ASME B1.20.1 Screwed ends(NPT) to ANSI/ASME B1.20.1

Tel: 86-0577-86961077 Fax: 86-0577-86961078 www.valve-yz.com

FORGED STEEL GATE/GLOBE/CHECK/VALVE SERIES

YZZFS106 锻钢闸阀150-800Lb Forged Steel Gate Valve



标准材质明细表 Standard material specifications

序号 NO.	名称 Part name	美标碳钢 CS to ASTM Type A105N	美标合金钢 AS to ASTM Type F22	美标不锈钢 SS to ASTM Type F304(L) Type F316(L)
1	闸体 Body	A105N	A182 F22	A182 F304(L) A182 F316(L)
2	闸座 Seat Ring	A276 420	A276 304	A276 304(L) A276 316(L)
3	闸板 Wedge	A276 430/F410	A182 F304	A182 F304(L) A182 F316(L)
4	闸杆 Stem	A182 F6	A182 F22	A182 F304(L) A182 F316(L)
5	垫片 Gasket	316奥氏体石墨 Corrugated SS+graphite	316奥氏体石墨 Corrugated SS+PTFE	
6	闸盖 Bonnet	A105	A182 F22	A182 F304(L) A182 F316(L)
7	螺栓 Bonnet Bolt	A193 B7	A193 B16	A193 B8 A193 B8M
8	圆柱销 Pin	A276 420		A182 F304
9	填料压套 Gland Eyabolt	A193 B7	A276 410	A182 F304(L) A182 F316(L)
10	填料压板 Gland Flange	A105	A193 B16	A193 B8 A193 B8M
11	螺母 Gland Nut	A194 2H	A194 4	A194 8 A194 8M
12	锁紧螺母 H.W.Lock Nut	A194 2H	A194 4	A194 8 A194 8M
13	铭牌 Nameplate		SS	
14	手轮 Handwheel		A197	
15	润滑油片 Bearing Gasket		A473 431	
16	填料 Stem packing	柔性石墨 Flexible graphite		PTFE
17	适用介质 Suitable medium	(水、蒸汽、油品等)W.O.G.etc		(硝酸、醋酸类)HNO ₃ ,CH ₃ COOH etc
18	适用温度 Suitable temperature	-29°C-425°C	-29°C-425°C	-29°C-200°C

注意：客户需求的材质也可采用。密封材料配对由客户指定内件代号决定。CS=碳钢；AS=合金钢；SS=不锈钢；Note: Other materials are available upon request. CS=Carbon Steel; AS=Alloy Steel; SS=Stainless Steel.

尺寸(mm)和重量(kg)Dimensions(mm)and Weights(kg)

通径 NPS	缩径 Conv. 全径 Full	3/8	1/2	3/4	1	1 1/4	1 1/2	2	/
L	79	79	92	111	120	120	140	178	
H(开)(OPEN)	158	158	169	197	236	246	283	330	
W	100	100	100	125	160	160	180	200	
重量 Weights	螺栓式 Bolted	2.1	2.0	2.3	4.3	5.9	6.9	11.1	15.2
	焊接式 Welded	1.8	1.7	2.0	3.8	5.1	6.1	10.2	14.2

Tel: 86-0577-86961077 Fax: 86-0577-86961078 www.valve-yz.com

YZHFS113 锻钢止回阀150-800Lb Forged Steel Check Valve



标准材质明细表 Standard material specifications

序号 NO.	名称 Part name	美标碳钢 CS to ASTM Type A105N	美标合金钢 AS to ASTM Type F22	美标不锈钢 SS to ASTM Type F304(L) Type F316(L)
1	闸体 Body	A105N	A182 F22	A182 F304(L) A182 F316(L)
2	升降式 闸瓣 Piston Disc	A276 420	A276 304	A276 304(L) A276 316(L)
3	垫片 Gasket	316奥氏体石墨 Corrugated SS+Graphite		316奥氏体石墨 Corrugated SS+PTFE
4	闸盖 Bonnet	A105N	A182 F22	A182 F304(L) A182 F316(L)
5	铭牌 Nameplate		SS	
6	螺栓 Bolt	A193 B7	A193 B16	A193 B8(M) A193 B8(M)
7	球 Ball	A182 F420 / STL	A182 F304	A182 F304 A182 F304
11	适用介质 Suitable medium	(水、蒸汽、油品等)W.O.G.etc		(硝酸、醋酸类)HNO ₃ ,CH ₃ COOH etc
12	适用温度 Suitable temperature	-29°C-425°C	-29°C-550°C	-29°C-200°C

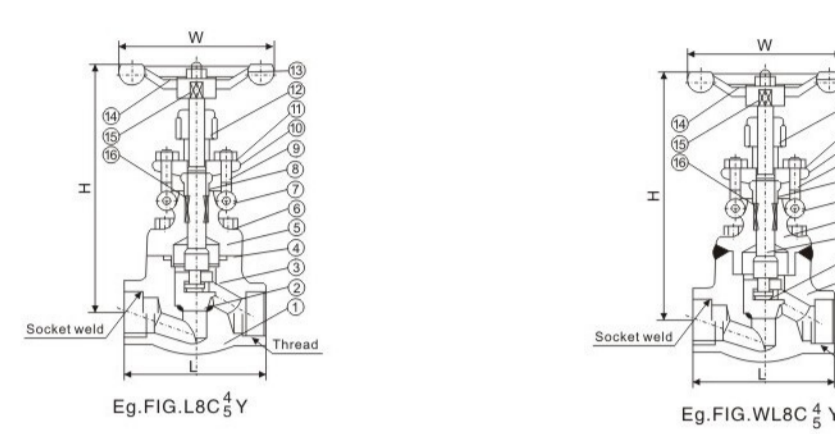
注意：客户需求的材质也可采用。密封材料配对由客户指定内件代号决定。CS=碳钢；AS=合金钢；SS=不锈钢；Note: Other materials are available upon request. CS=Carbon Steel; AS=Alloy Steel; SS=Stainless Steel.

尺寸(mm)和重量(kg)Dimensions(mm)and Weights(kg)

通径 NPS	缩径 Conv. 全径 Full	3/8	1/2	3/4	1	1 1/4	1 1/2	2	/
L	79	79	92	111	120	120	152	172	200
W	61	61	65	79	95	103	118	132	
重量 Weights	螺栓式 Bolted	1.4	1.2	1.5	3.1	3.9	5.6	8.9	12.5
	焊接式 Welded	1.1	1.0	1.2	2.9	3.3	4.9	8.1	10.9

Tel: 86-0577-86961077 Fax: 86-0577-86961078 www.valve-yz.com

YZJFS107 锻钢截止阀150-800Lb Forged Steel Globe Valve



标准材质明细表 Standard material specifications

序号 NO.	名称 Part name	美标碳钢 CS to ASTM Type A105N	美标合金钢 AS to ASTM Type F22	美标不锈钢 SS to ASTM Type F304(L) Type F316(L)
1	闸体 Body	A105N	A182 F22	A182 F304(L) A182 F316(L)
2	闸座 Disc	A276 420	A276 304	A276 304(L) A276 316(L)
3	闸杆 Stem	A182 F6a	A182	A182 F304(L) A182 F316(L)
4	垫片 Gasket	316奥氏体石墨 Corrugated SS+graphite		316奥氏体石墨 Corrugated SS+PTFE
5	闸盖 Bonnet	A105N	F182 F22	A182 F304(L) A182 F316(L)
6	闸盖 螺栓 Bonnet Bolt	A193 B7	A193 B16	A193 B8 A193 B8M
7	圆柱销 Pin	A276 420		A276 304
8	填料压套 Gland Eyabolt	A193 B7	A276 410	A182 F304(L) A182 F316(L)
9	填料压板 Gland Flange	A105	A193 B16	A193 B8 A193 B8M
10	螺母 Gland Nut	A194 2H	A194 4	A194 8 A194 8M
11	锁紧螺母 H.W.Lock Nut	A194 2H	A194 4	A194 8 A194 8M
12	铭牌 Nameplate		SS	
13	手轮 Handwheel		A197	
14	填料 Stem packing	柔性石墨 Flexible graphite		PTFE
15	适用介质 Suitable medium	(水、蒸汽、油品等)W.O.G.etc		(硝酸、醋酸类)HNO ₃ ,CH ₃ COOH etc
16	适用温度 Suitable temperature	-29°C-425°C	-29°C-425°C	-29°C-200°C

注意：客户需求的材质也可采用。密封材料配对由客户指定内件代号决定。CS=碳钢；AS=合金钢；SS=不锈钢；Note: Other materials are available upon request. CS=Carbon Steel; AS=Alloy Steel; SS=Stainless Steel.

尺寸(mm)和重量(kg)Dimensions(mm)and Weights(kg)

通径 NPS	缩径 Conv. 全径 Full	3/8	1/2	3/4	1	1 1/4	1 1/2	2	/
L	79	79	92	111	120	120	152	172	200
H(开)(OPEN)	166	166	171	207	240	258	330	355	
W	100	100	100	125	160	160	180	200	
重量 Weights	螺栓式 Bolted	1.9	1.9	2.1	3.5	6.0	7.5	11.4	14.6
	焊接式 Welded	1.7	1.7	1.9	3.3	5.2	6.8	10.6	13.8

Tel: 86-0577-86961077 Fax: 86-0577-86961078 www.valve-yz.com

FORGED STEEL GATE/GLOBE/CHECK/VALVE SERIES

YZZFS407 锻钢法兰闸阀、截止阀、止回阀系列 YZJFS406 YZHFS414 Forged Steel Flange Gate Valve, Globe Valve, Check Valve



标准材质明细表 Standard material specifications

序号 NO.	名称 Part name	美标碳钢 CS to ASTM Type A105N	美标合金钢 AS to ASTM Type F22	美标不锈钢 SS to ASTM Type F304(L) Type F316(L)
1	闸体 Body	A105N	A182 F22	A182 F304(L) A182 F316(L)
2	升降式 闸瓣 Piston Disc	A276 420	A276 304	A276 304(L) A276 316(L)
3	垫片 Gasket	316奥氏体石墨 Corrugated SS+Graphite		316奥氏体石墨 Corrugated SS+PTFE
4	闸盖 Bonnet	A105N	A182 F22	A182 F304(L) A182 F316(L)
5	铭牌 Nameplate		SS	
6	螺栓 Bolt	A193 B7	A193 B16	A193 B8(M) A193 B8(M)
7	球 Ball	A182 F420 / STL	A182 F304	A182 F304 A182 F304
11	适用介质 Suitable medium	(水、蒸汽、油品等)W.O.G.etc		(硝酸、醋酸类)HNO ₃ ,CH ₃ COOH etc
12	适用温度 Suitable temperature	-29°C-425°C	-29°C-550°C	-29°C-200°C

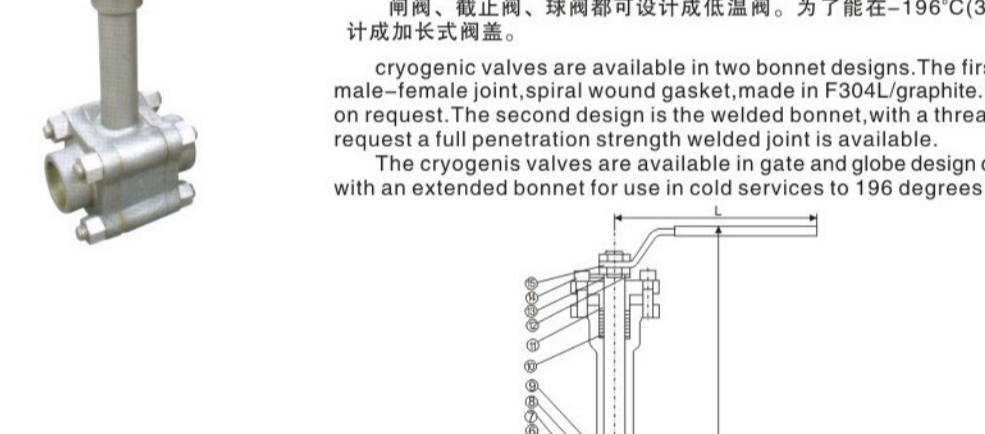
注意：客户需求的材质也可采用。密封材料配对由客户指定内件代号决定。CS=碳钢；AS=合金钢；SS=不锈钢；Note: Other materials are available upon request. CS=Carbon Steel; AS=Alloy Steel; SS=Stainless Steel.

尺寸(mm)和重量(kg)Dimensions(mm)and Weights(kg)

通径 NPS	缩径 Conv. 全径 Full	3/8	1/2	3/4	1	1 1/4	1 1/2	2	/
L	79	79	92	111	120	120	152	172	200
W	61	61	65	79	95	103	118	132	
重量 Weights	螺栓式 Bolted	1.4	1.2	1.5	3.1	3.9	5.6	8.9	12.5
	焊接式 Welded	1.1	1.0	1.2	2.9	3.3	4.9	8.1	10.9

Tel: 86-0577-86961077 Fax: 86-0577-86961078 www.valve-yz.com

YZQFS130 锻钢低温球阀150-800Lb Forged Steel Low Temperature Ball Valve



标准材质明细表 Standard material specifications

序号 NO.	零件名称 Part Name	美标碳钢 CS to ASTM Type A352 LF2 Type A352 L12	美标合金钢 AS to ASTM Type A352 LF3 Type A352 L13	美标不锈钢 SS to ASTM Type A304(L) Type F304(L)
1-2	闸体/闸盖 Body/Bonnet	type A352 LF2 type A352 L12	Type A352 LF3 Type A352 L13	Type A304(L) Type F304(L)
3	等长双头螺栓 Bolt	A193L7-7.0级	A193 3 B8	A193 3 B8 A193 B8M
4	螺母 Nut	A193L7-7.0级	A194 8	A194 8 A194 8M
5.8	密封填料 Seal Ring/Gasket		RTFE+Cu/尼龙1010/PPL	
6	球体 Ball	A182 F304	A182 F304(L)	A182 F304(L) A182 F316(L)
7	闸杆 Stem	A182 F304	A182 F304(L)	A182 F304(L) A182 F316(L)
9,10	止推片/填料 Stem packing		RTFE+Cu/尼龙1010/PPL,聚四氟乙烯	
11	压盖 Gland	A105N	A194 8	A194 8 A194 8M
12	定位片 Locating piece		A182 F321	
13	铭牌 Gland Nut	A194 4-7.0级	A194 8	A194 8 A194 8M
14	手轮 Wrench	A193L7-7.0级	A193 B8	A193 B8 A193 B8M
15	圆柱销 Pin		Q235A	
16	适用介质 Suitable medium		≥-40°C	≥-101°C
17	适用温度 Suitable temperature		-29°C-425°C	-29°C-550°C

尺寸(mm)Dimensions(mm)

DN	inch	L	d	L1	D	D	H	W
15	1/2	92	13	9.6	36	21.8	230	160
20	3/4	111	18	12.7	42	27.3	260	220
25	1	127	23	12.7	52	32.8	280	220
32	1 1/4	140	28	12.7	60	42.6	290	250
40	1 1/2	152	35	12.7	68	48.7	320	300
50	2	178	45	15.9	80	61.2	340	350

Tel: 86-0577-86961077 Fax: 86-0577-86961078 www.valve-yz.com

FORGED STEEL GATE/GLOBE/CHECK/VALVE SERIES

YZZFS407 锻钢法兰闸阀、截止阀、止回阀系列 YZJFS406 YZHFS414 Forged Steel Flange Gate Valve, Globe Valve, Check Valve



标准材质明细表 Standard material specifications

序号 NO.	零件名称 Part name	美标碳钢 CS to ASTM Type A105N	美标合金钢 AS to ASTM Type F22	美标不锈钢 SS to ASTM Type F304(L) Type F316(L)
1	闸体 Body	A105N	A182 F22	A182 F304(L) A182 F316(L)
2	闸座 Seat Ring	A276 420	A276 304	A276 304(L) A276 316(L)
3	闸板 Wedge</			